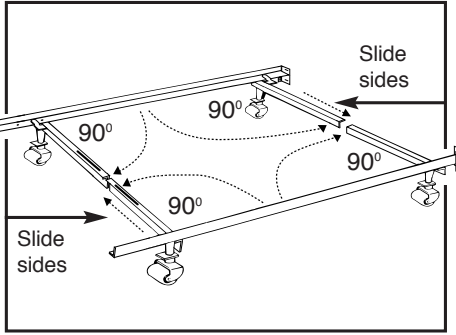


**1**



**Slide small sides so that they form with the large sides a 90° angle.**

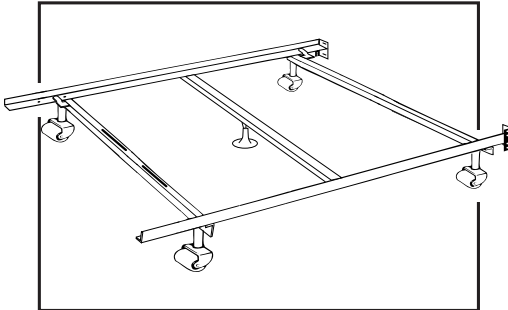
**2**

**Set width as desired.**

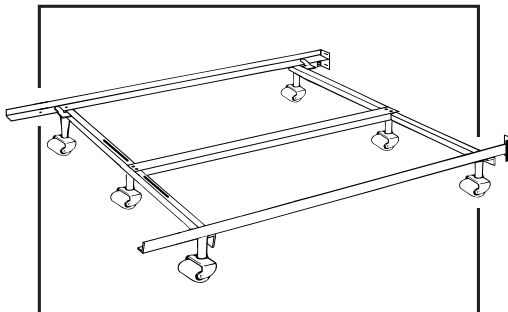
**3**

**Put on plastic sockets and wheels.**

**4**



#951



#910, #910K, #961, #971

**Install center support(s) if included.**

**I  
N  
S  
T  
R  
U  
C  
T  
I  
O  
N  
S**