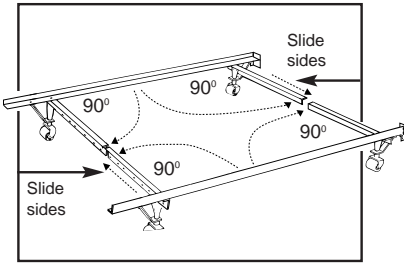
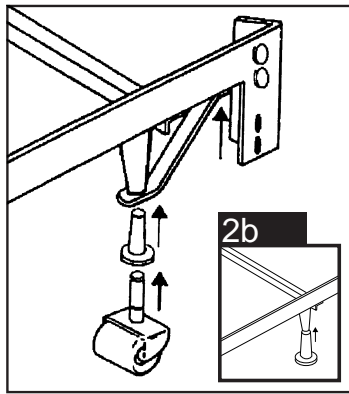


1



Slide small sides so that they form with the large sides a 90° angle.

2a



2a Fasten tightly the support bracket into the leg.
Or 2b Install plastic glide.

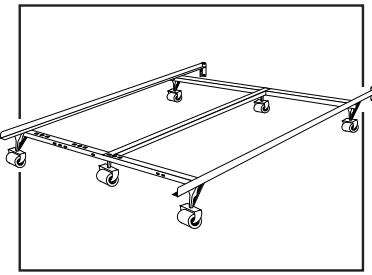
3

Set width as desired and screw on bolts tightly.

4

Put on plastic sockets and wheels.
If long metal glide, install washer between glide and socket.

5



Install center support(s) if included.

— I N S T R U C T I O N S —